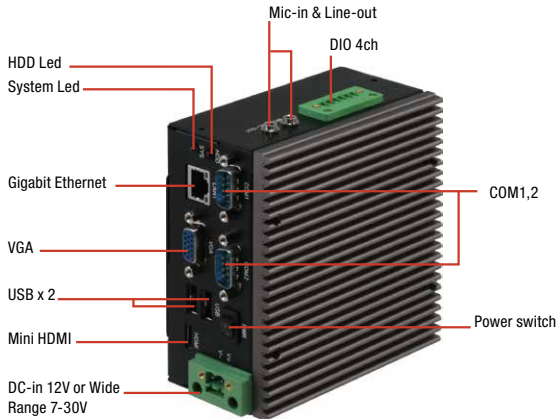


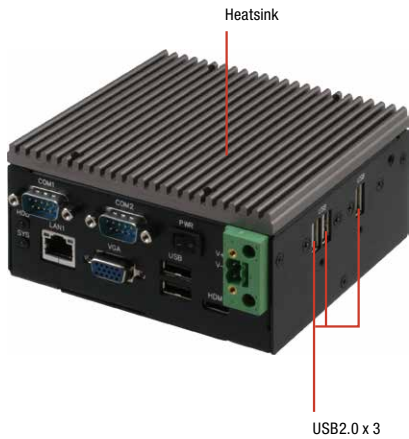
13 TKS-P20-CV01

DIN Rail Fanless Embedded Box For PICO-CV01

Front View

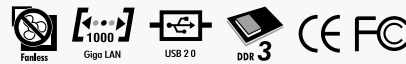


Side View



Features

- Intel® Atom™ N2600 Processor 1.6 GHz
- DDR3 800 MHz SODIMM up to 2 GB
- DIN Rail and Fanless System
- Supports Mini HDMI and VGA Dual Display
- Gigabit Ethernet x 1
- USB2.0 x 5, COM x 2, 4-bit Digital I/O
- mSATA x 1
- DC in +12V or +7V~30V Wide Range DC Input (Optional)

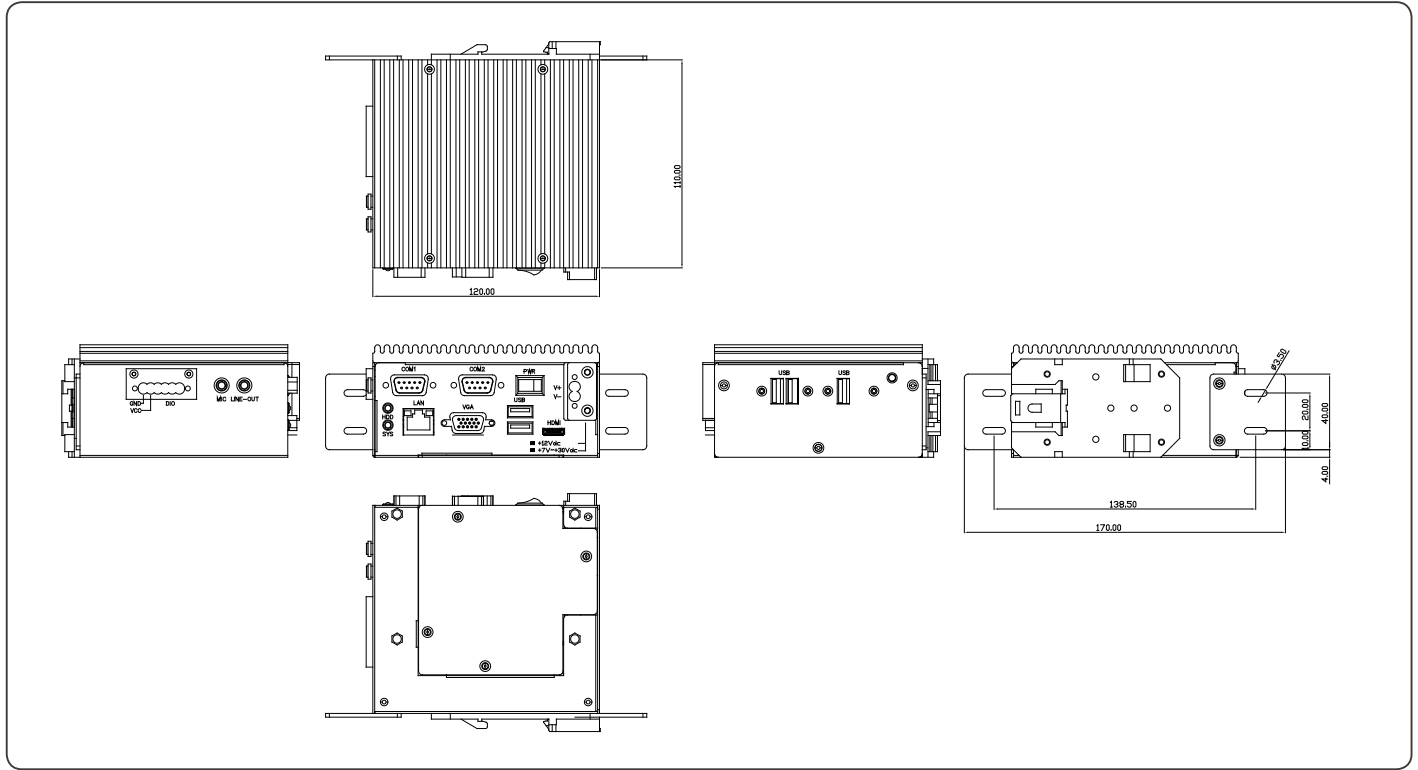


Specifications

System	
CPU	Intel® Atom™ N2600, 1.6 GHz
Chipset	Intel® NM10
System Memory	DDR3 800 SODIMM slot x 1, up to 2 GB
Display Interface	VGA, HDMI
Storage Device	mSATA, HDD/SSD (Optional)
Ethernet	Realtek RTL-8111E, 10/100/1000Base-TX x 1
I/O	RS-232/422/485 x 1 RS-232 x 1 USB 2.0 x 5 VGA x 1 HDMI x 1 (Type C) LAN x 1 DIO x 4 Line-out x 1 Mic-in x 1 Antenna holes x 2 Power switch Power input
Expansion	Half-size Mini-Card x 1 (for mSATA)
Indicator	Power LED HDD active LED
OS support	Windows® 7, Windows® XP, Windows® XP Embedded, Linux Fedora
Power Supply	
Power Requirement	9 - 30V with 2-pin terminal block 12V with 2-pin terminal block
Mechanical	
Mounting	Wallmount DIN Rail (Mounting kit is optional)
Dimensions (W x H x D)	4.7" x 2.3" x 4.3" (120mm x 59.5mm x 110mm)
Gross Weight	2.2 lb (1 kg)
Net Weight	1.8 lb (820 g)
Environmental	
Operating Temperature	0°C ~ 55°C with wide temperature HDD (according to IEC68-2-14 with 0.5 m/s AirFlow ; with industrial devices)
Storage Temperature	-40°C ~ 80°C
Storage Humidity	90% @ 40°C, non-condensing
Anti-Vibration	2 Grms/ 5 ~ 500Hz/ operation -mSATA
Certification	CE/FCC class A

Dimension

Unit: mm



Ordering Information

Part Number	CPU	RAM	Cooler	Storage	Display Combination	LAN	USB	RS-232	RS-232/422/485	DIO	Expansion Slot	Power
TKS-P20-CV01-001-DX	Intel® Atom™ N2600	DDR3 SODIMM	Fanless	mSATA	Mini HDMI, VGA	1	5	1	1	4 bits	mSATA	12V DC ATX
TKS-P20-CV01-002-DX	Intel® Atom™ N2600	DDR3 SODIMM	Fanless	mSATA	Mini HDMI, VGA	1	5	1	1	4 bits	mSATA	7-30V DC ATX

Packing List

- Product DVD
- TKS-P20-CV01

Optional Accessories

- **1757904002**
40W AC Adapter
- **1702031802**
Power Cord (US Type)
- **1702031803**
Power Cord (European Type)
- **170203180E**
Power Cord (Japanese Type)
- **9741681003**
DIN Rail Mounting Kit
- **9761P20000**
Wallmount Kit